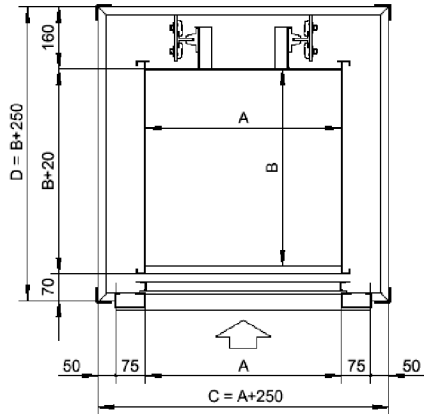


## Small Goods Lifts

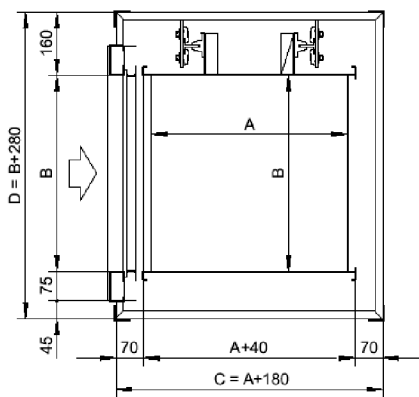
Shaft layout for door configuration, car and shaft size.



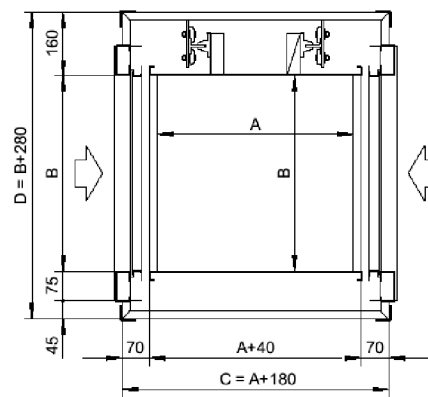
Layout 1

**Figure 3.** Minimum shaft size (Plan).  
With self-supporting structure.

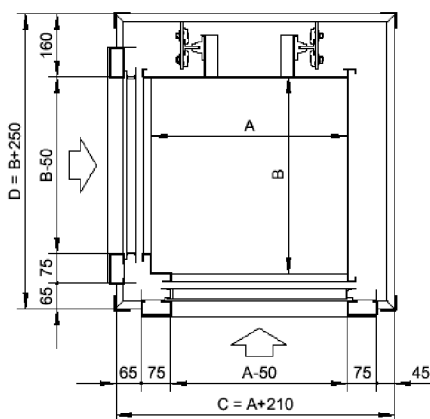
Layouts	Car Dimensions	Clear Car Dimensions	Minimum Size of Shaft (C+30)x(D+30)
1		A B+20	A+280 B+280
2,3		A+20 B	A+210 B+310
4,5	A B	A+20 B+20	A+240 B+280
6		A+40 B	A+210 B+310
7		A+20 B+20	A+210 B+280



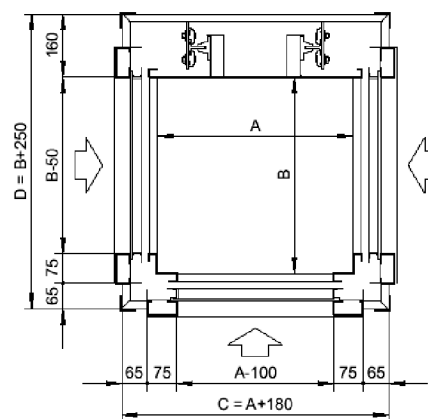
Layouts 2-3



Layout 6



Layouts 4-5



Layout 7